

## FT-8 Series Medical Foot Switches(IPX8, Standard/Rocker)

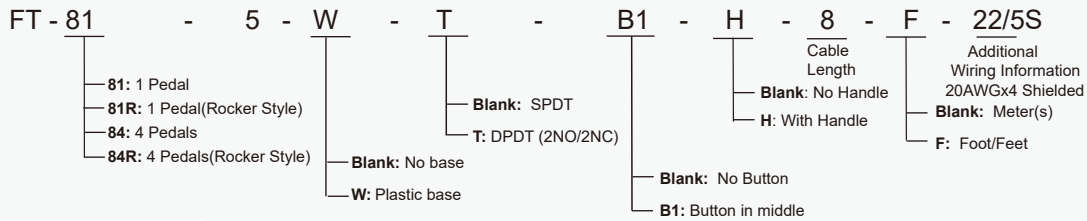
### Features

- Robust glass fiber reinforced plastic
- Compact design
- Rocker style available for multiple functions
- Wireless version available for -W model with base
- Wire and connector can be connected according to customer's requirements
- USB optional available
- Multiple Pedal colors available

### Specifications

Operating Frequency	60 ops/min
Insulation Resistance	>100MΩ@500V DC
Contact Resistance	<25mΩ (initial)
Rated Current/Voltage	5A 125/250VAC
Inrush Current	IEC947-5-1: AC15/DC13
Dielectric Strength	1000VAC for 1 min between current carrying parts 2500VAC for 1 min between non-current carrying parts
Service Life	Mechanically 1 x10 <sup>6</sup> (operations) Electrically 1 x10 <sup>5</sup> (operations)
Operating Temperature	-30~+80°C (-22~176°)
Degree of Protection	IPX8

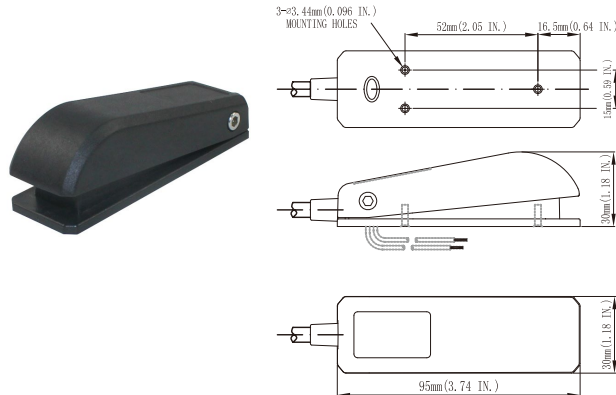
### Selection Guide:



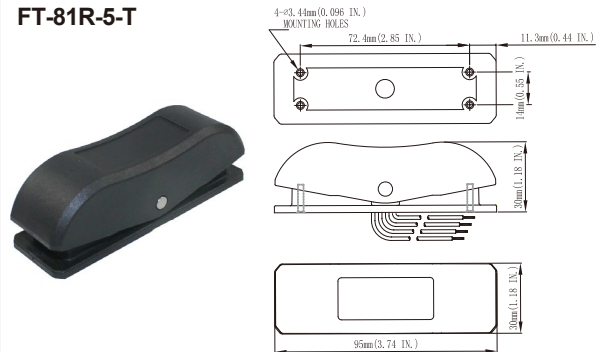
### Dimensions:

\* Standard pedal color: Black

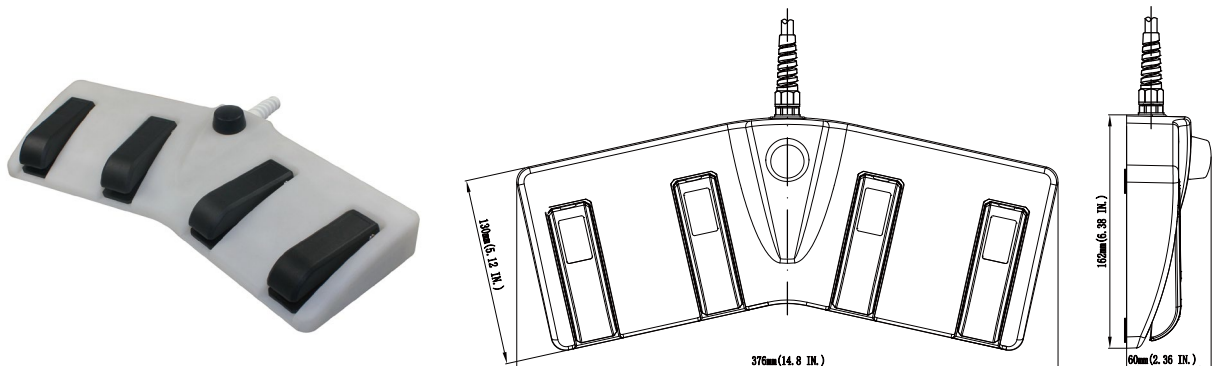
**FT-81-5-2-20/2S** (20AWGx2, shielded, 2 meters, 1x 1NO, cable diameter 4.8mm)  
**FT-81-5-T-2-20/4S** (20AWGx4, shielded, 2 meters, 2x 1NO, cable diameter 7.0mm)



**FT-81R-5**  
**FT-81R-5-T**

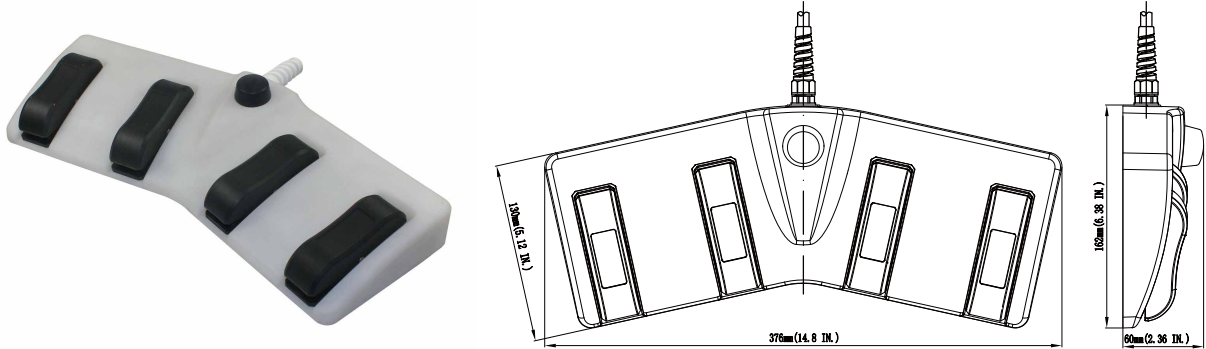


**FT-84-5-W-2-22/5S** (22AWGx5, shielded, 2 meters, 4x 1NO with one common, cable diameter 5.6mm)  
**FT-84-5-W-T-2-22/9** (22AWGx9, shielded, 2 meters, 8x 1NO with one common, cable diameter 7.5mm)  
**FT-84-5-W-B1-2-20/6S** (20AWGx6, shielded, 2 meters, 5x 1NO with one common, cable diameter 6.7mm)

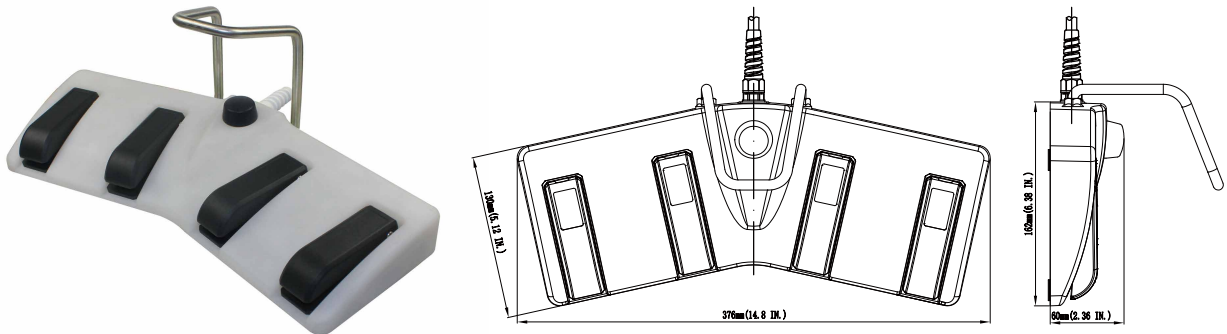


## FT-8 Series Medical Foot Switches(IPX8, Standard/Rocker)

- FT-84R-5-W-2-22/5S** (22AWGx5, shielded, 2 meters, 4x 1NO with one common, cable diameter 5.6mm)  
**FT-84R-5-W-T-2-22/9** (22AWGx9, shielded, 2 meters, 8x 1NO with one common, cable diameter 7.5mm)  
**FT-84R-5-W-B1-2-20/6S** (20AWGx6, shielded, 2 meters, 5x 1NO with one common, cable diameter 6.7mm)



- FT-84-5-W-H-2-22/5S** (22AWGx5, shielded, 2 meters, 4x 1NO with one common, cable diameter 5.6mm)  
**FT-84-5-W-T-H-2-22/9** (22AWGx9, shielded, 2 meters, 8x 1NO with one common, cable diameter 7.5mm)  
**FT-84-5-W-B1-H-2-20/6S** (20AWGx6, shielded, 2 meters, 5x 1NO with one common, cable diameter 6.7mm)



- FT-84R-5-W-H-2-22/5S** (22AWGx5, shielded, 2 meters, 4x 1NO with one common, cable diameter 5.6mm)  
**FT-84R-5-W-T-H-2-22/9** (22AWGx9, shielded, 2 meters, 8x 1NO with one common, cable diameter 7.5mm)  
**FT-84R-5-W-B1-H-2-20/6S** (20AWGx6, shielded, 2 meters, 5x 1NO with one common, cable diameter 6.7mm)

